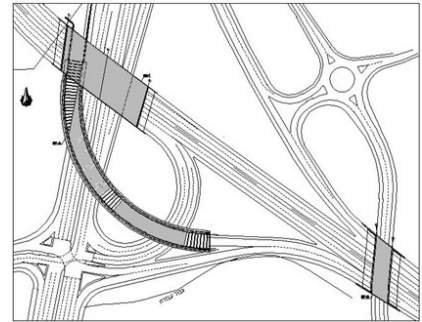


Zeitim Interchange (1/2)

Location	Jerusalem, Israel
Services	Detailed design and documentation of two cut-and-cover underpasses and one bridge
ABES member	ABES Israel - KEDMOR



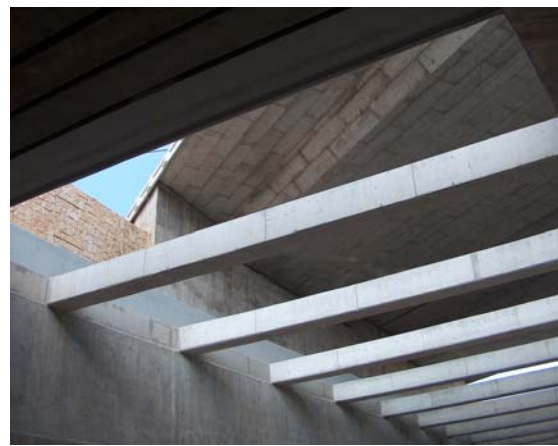
Description

The Zeitim Interchange is located at the eastern entrance to Jerusalem on the slope of Mount Scopus. The interchange joins National Route #1, Mount Scopus Tunnels access road and local entrances to adjacent villages.

The pre-stressed 2-span concrete bridge carries the entrance road to Mount Scopus Tunnels above National Road #1. The bridge is 80m long and 32.5m wide with skew supports calling for a cast in-situ voided slab solution for the deck. The sub-structure was made of cast-in-situ concrete columns and abutments supported by cast-in-situ concrete precaution drilled piles.

The first cut-and-cover underpass "A" is 272m long and 12m wide with 600mm abutment walls made from cast-in drilled piles connected by cast-in-situ concrete beam on top. The superstructure is made of precast "Inverted-Tee" pre-tensioned girders and cast-in-situ concrete on top.

The second underpass "B" of 59,2m length and 14.1m width was constructed using a "top-down" approach where after completion of the abutment wall pile drilling the superstructure slab was post-tensioned and sub-sequent excavation exposed the pile walls.

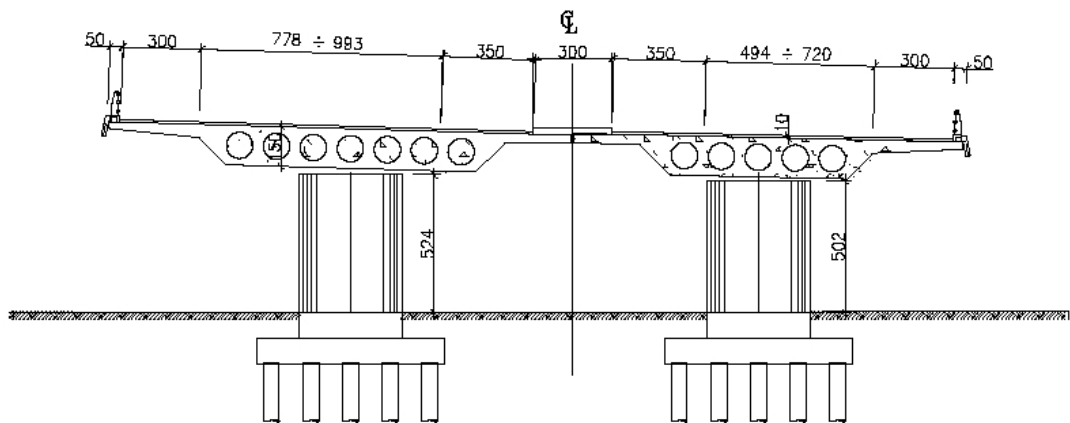


Underpass "A" during construction with the new bridge in the background on the right

Zeitim Interchange (2/2)



Voided slab bridge



Structure cross-section voided slab bridge